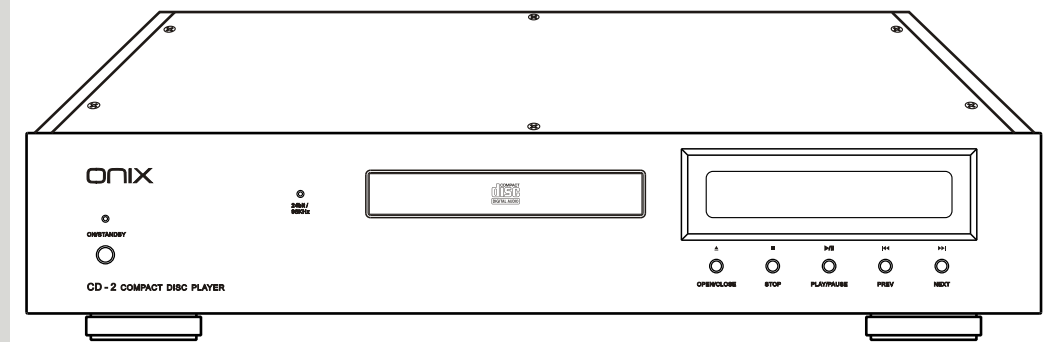


ONIX CD-2

ONIX

COMPACT DISC PLAYER



USER'S MANUAL



CONGRATULATIONS ON YOUR PURCHASE

You have selected a state-of-the-art CD Player. Each component chosen for assembly in the construction of the CD-2 CD player was selected to provide you with superior performance and the highest level of sound reproduction available today. Please take a few moments to read over the USER`S MANUAL to ensure that you get the best performance from your unit and years of trouble-free service.

CONTENTS LIST

SAFETY GUIDELINES	P.2
A FEW PRECAUTIONS	P.4
PLACEMENT	P.4
FEATURES	P.5
PANEL FIGURES	P.5
FRONT VIEW	P.5
REAR VIEW	P.7
USING REMOTE CONTROL UNIT CD-2	P.8
REMOTE CONTROL UNIT FIGURES	P.9
SUPPLIED ACCESSORIES	P.11
TECHNICAL SPECIFICATIONS	P.12

SAFETY GUIDELINES

This product is designed and manufactured to meet strict quality and safety standards. However, you should be aware of the following installation and operation precautions:

1. Take heed of warnings and instructions

Read all the instructions before connecting or operating the component. Keep this manual so you can refer to these safety instructions. Heed all warnings and safety information in these instructions and on the CD player. Follow all operating instructions.

2. Water and Moisture

To reduce the risk of fire or electric shock, do not expose the unit to moisture or water. If the unit is exposed to moisture, immediately disconnect the power cord from the wall. Take the unit to an authorized ONIX service person for inspection and necessary repairs. Do not touch the unit, power cord, or plug with wet hands.

3. Object or liquid entry

Do not allow foreign objects or liquids into the enclosure through any openings. If liquid enters the unit, or a foreign object gets into the enclosure, immediately disconnect the power cord from the wall and take the unit to an authorized ONIX service person for inspection and necessary repairs.

4. Ventilation

You must allow 50 mm or 2 inches of unobstructed clearance around the unit. Do not place the unit on a bed, sofa, rug, or similar surface that could block the ventilation slots. If the component is placed in a bookcase or cabinet, there must be ventilation of the cabinet to allow proper cooling.

5. Heat

Keep the component away from naked flames, radiators, heat registers, stoves, or any other appliance (including amplifiers) that produce heat.

6. Climate

The CD player has been designed for use in moderate climates. Do not attempt to use below 41 degrees Fahrenheit (5 degrees Celsius) or above 95 degrees Fahrenheit (35 degrees Celsius).

7. Rack and Stands

Place the unit on a fixed, level surface strong enough to support its weight. Do not place it on a moveable cart that could tip over. We recommend using only racks or stands approved for use with audio equipment.

8. Cleaning

Unplug the unit from the mains supply before cleaning. The case should normally require only a wipe with a soft lint-free cloth.

9. Power Sources

Only connect the unit to a power supply of the type and voltage described in the operating instructions or specified on the rear panel of the unit.

10. Power-cord protection

Connect the component to the power outlet only with the supplied power supply cord or an exact equivalent. Do not modify the supplied cable in any way. Do not attempt to defeat grounding and/or polarization provisions.

Do not use extension cords.

Do not route the power cord where it will be crushed, pinched, bent at severe angles, exposed to heat, or damaged in any way.

11. Non-use periods

The power cord should be unplugged from the wall outlet if the unit is to be left unused for a long period of time.

12. Abnormal Smell

If abnormal smell or smoke is detected from the unit, turn the power off immediately and unplug the CD player from the wall outlet. Stop using the component immediately and have it inspected and/or serviced by an authorized ONIX service agency.

CAUTION

IMPORTANT FOR LASER PRODUCTS

1. CLASS 1 LASER PRODUCT
2. DANGER: Visible laser radiation when open and interlock failed or bypassed. Avoid direct exposure to beam.
3. CAUTION: Do not open the top cover. There are no user serviceable parts inside the player, leave all servicing to qualified service personnel.



WARNING!

To reduce the risk of electrical shock, fires, etc.:

1. Do not remove screws, covers or cabinet.
2. Do not expose the unit to rain or moisture.
3. Do not touch the power cord or plug with wet hands.



A FEW PRECAUTIONS

Please read this manual carefully. In addition to installation and operating instructions, it provides valuable information that will help you get optimum performance from your system. please contact your authorized ONIX dealer for answers to any questions you might have. In addition, all of us at ONIX welcome your questions and comments. Save the ONIX CD-2 shipping carton and all enclosed packing material for future use. Shipping or moving the CD-2 in anything other than the original packing material may result in severe damage that is not covered by the warranty. Be sure to keep the original sales receipt. It is your best record of the date of purchase, which you will need in the event warranty service is required.

PLACEMENT

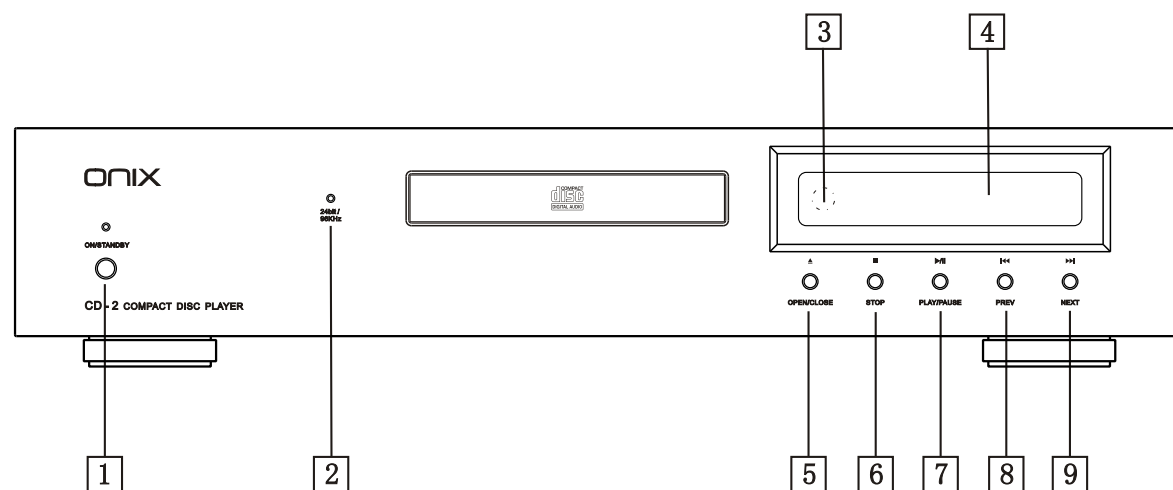
Use common sense when placing the CD-2. Always place the CD player on a level, firm surface. Make sure that the shelf or cabinet can support its weight. Do not stack heavy components on top of the CD-2. Avoid placing the unit where it may be subject to excessive heat, such as on top of a large power amplifier or near a heat register. For best performance, avoid placing the unit where it may be subject to vibration, such as near a speaker.

FEATURES

ONIX CD-2 player uses the precise Philips CDM (VAM)-12 pick up mechanism controlled by the Philips CD-7II servo system. Some other superior electronic parts such as crystal semiconductor CS8420 chips from CIRRUS LOGIC are used for 24bit/96KHz digital sampling. And PCM1738 chips from BB are responsible D/A conversion and digital filter capability. The transport unit and its power supply are isolated for the highest level of audio performance as well. We are confident you will get great entertainment and enjoyment with this ONIX CD-2 player.

PANEL FIGURES

FRONT VIEW



1 Power Switch and the ON/STANDBY LED Indicator

Press to switch power ON, and press again to switch stand by status. In the same time, the LED indicator shows green light when the power on. It shows red light when the CD player is in a standby status.

2 24bit/96KHz LED Indicator

The LED Indicator shows blue color when the 24bit/96KHz sampling function is activated. Remote control unit controls this function.

3 Remote Sensor

This window receives signals transmitted from the remote control unit.

4 Display

Shows information such as the power ON/OFF state, track number, playing time and current operation mode.

5 OPEN/CLOSE Button

Press it to open the disc tray and press it again to close the disc tray.

6 STOP Button

Press to stop playback. This button is also used for deleting a program.

7 PLAY / PAUSE Button

Press to start playback and press it again for pause function. The playback could be activated again when press the button once more.

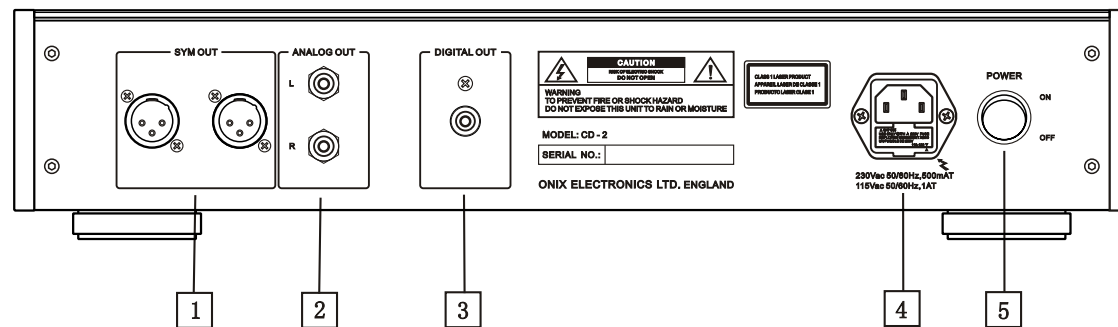
8 ◀◀ PREV Button (Track Previous)

When the ◀◀ button is pressed during playback, play re-starts at the beginning of the current or a previous track.

9 ▶▶ NEXT Button (Track Next)

When the ▶▶ button is pressed, play re-starts at the beginning of the next or a subsequent track. Hold down ◀◀ PREV or ▶▶ NEXT button to find a particular passage in a backward or forward direction. The selected track number is shown on the display.

REAR VIEW



1 SYM. Output jacks

Connect to the balance input jacks of a preamplifier.

2 ANALOG Output jacks

Connect to the CD or AUX input jacks of a preamplifier.

3 DIGITAL OUTPUT COAXIAL output jack

By connecting this jack to a digital audio component (D/A converter, digital sound processor, etc.), digital signals from compact discs can be transmitted directly from the player without first being converted to analog.

4 AC Power Source Connection

Using a power cord from this socket lead into a mains outlet providing the right voltage.

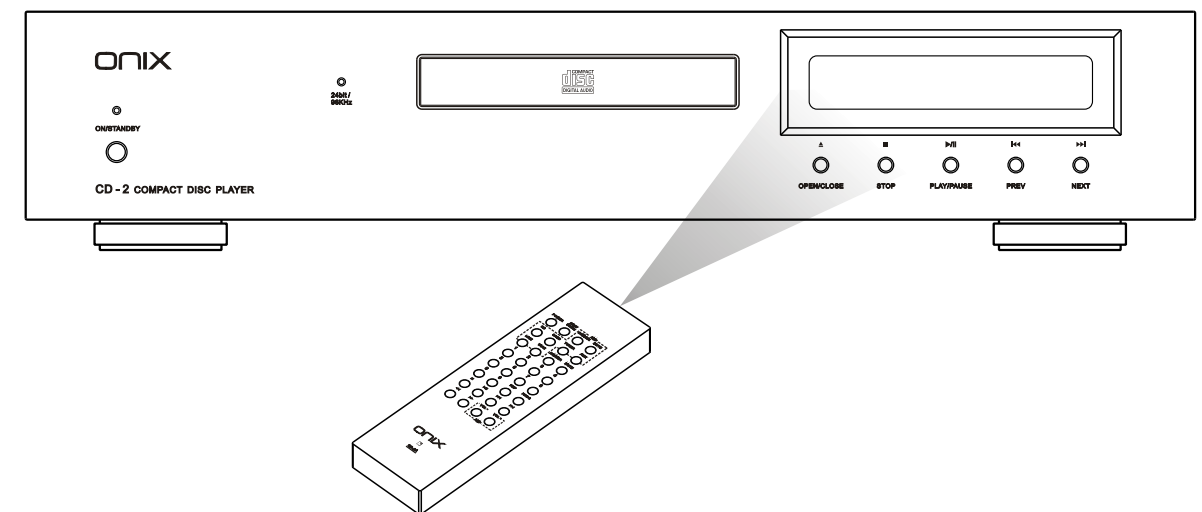
5 Power Input Switch

You may use the switch to choose power input ON or power input OFF.

USING THE REMOTE CONTROL UNIT

Remote control

Operate the remote control unit within a distance of approx. 10 meter from the infrared signal reception window (remote sensor) on the front of the CD player. Remote control operation may not be possible if the remote control unit's transmitter is not pointing in the direction of the remote sensor or if there is an obstruction between the transmitter and the remote sensor.



Loading batteries

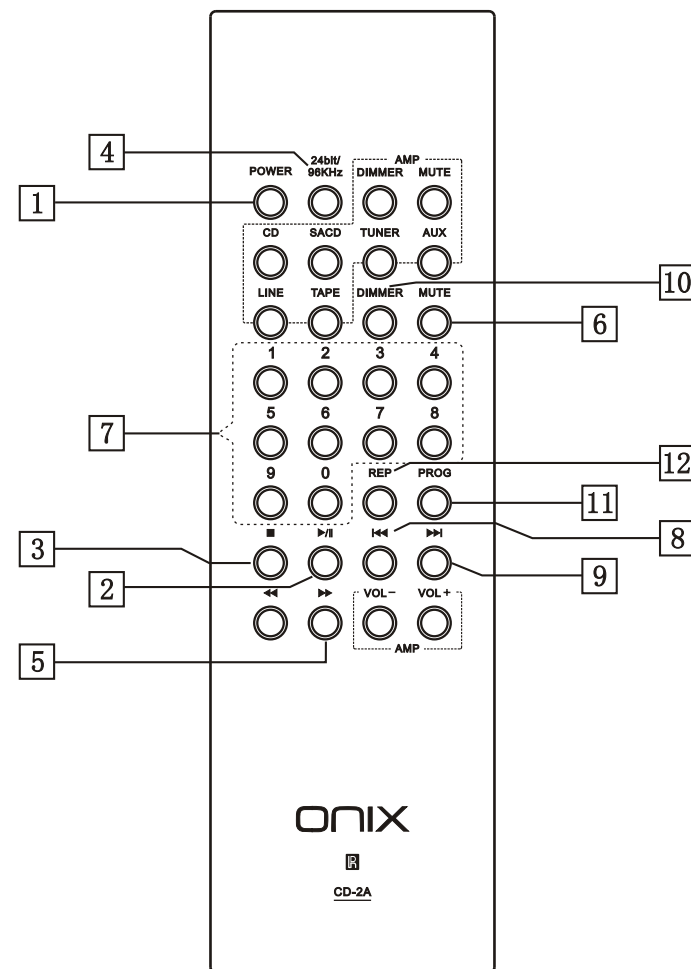
Batteries (excluding in the package) in this remote control unit have a life of approximately 1 year under normal operating conditions. If the remote control unit is not going to be used for an extended period of time, remove the batteries. Also, if you notice that the batteries are starting to run down, replace them as soon as possible.

CAUTION: Please remove the batteries away if you will not use this CD player for over 10 days.

REMOTE CONTROL UNIT CD-2

The power to the CD player could switch ON/OFF using the POWER switch on the remote control unit CD-2. When the power to the CD player is ON and a disc is loaded on the disc tray, the remote control unit (CD-2) can be used to operate the player's various functions.

REMOTE CONTROL UNIT FIGURE



1 Power Button

Press to switch power ON, and press again to switch stand by status. In the same time, the LED indicator shows green light when the power on. It shows red light when the CD player is in a standby status.

2 Play Button

Press to start playback and press it again for pause function. The playback could be activated again when press the button once more.

3 Stop Button

Press to stop playback. This button is also used for deleting a program.

4 24 bit/96KHz Sampling Button

Press to activate 24bit/96KHz-sampling function. When the function is activated. The 24bit/96KHz LED Indicator shows blue color. The sampling frequency would be raised to 96KHz from original 44.1KHz. This function could be only operated by remote control unit (CD-2). You could press it again to stop this function.

5 ◀▶ (Search Reverse/Forward) buttons

◀ : When pressed during playback, this button fast-reverses the play position.

▶ : When pressed during playback, this button fast-forwards the play position.

6 Mute Button

Press to start mute function and press it again for recovering. Playback still is under operation when pressing mute button.

7 Numeric (0 to 9) buttons

When used during playback, these buttons allow you to specify the number of another track you want to play. When used during stop mode, these buttons allow you to specify the number of a track from which to start playback. Hence, buttons are also used to select tracks for programming.

8 **⏮ Prev Button (Track Previous)**

When the **⏮** button is pressed during playback, play re-starts at the beginning of the current or a previous track.

9 **⏭ Next Button (Track Next)**

When the **⏭** button is pressed, play re-starts at the beginning of the next or a subsequent track.

10 **Dimmer Button**

The dimmer button could control the brightness of the display. It has four degrees of the brightness. The dimmer button will darken this display for each press. Once you pressed for three times already. The fourth press could display show the most bright degree again.

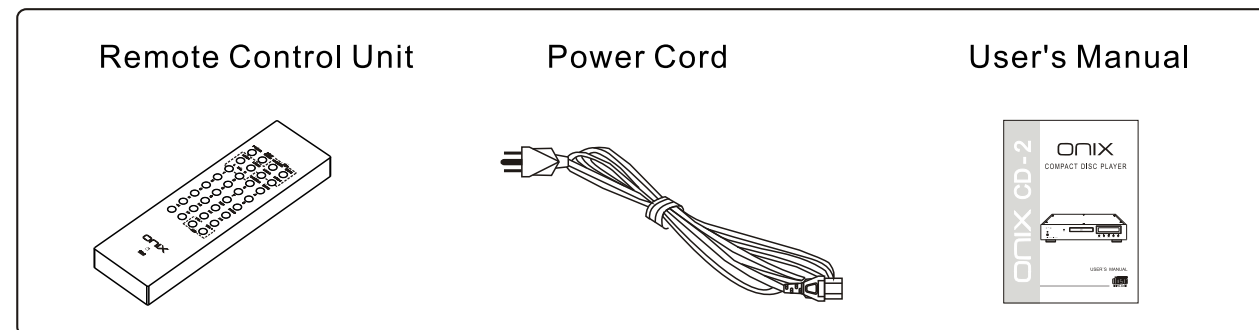
11 **PROG button**

Press to activate program play, so that only the selected tracks from the disc loaded on the disc tray will be played.

12 **Repeat button**

Press to select 1 track repeat, all-track repeat or program repeat playback mode.

SUPPLIED ACCESSORIES



MODEL CD-2 CD Player TECHNICAL SPECIFICATIONS

Audio Characteristics

Channels ----- 2 channels

Sampling frequency ----- 44.1 KHz/96KHz(Optional)

Optical Readout System

Wavelength ----- 465~470 nm

Frequency Characteristics

Frequency range ----- 20Hz-20kHz

Dynamic range ----- 110 dB

S/N ratio (WTD) ----- 110 dB

Channel separation (1 kHz) ----- >100 dB

THD(1 kHz) ----- 0.002%

Analog output

Output level (cinch JACKS) ----- 1.8VRMS

Output independence ----- 600 ohms

Digital output

Output level (cinch JACK) ----- 500 mv

Power Supply

Power Consumption ----- < 60 W

Cabinet.

Dimensions

Width ----- 450mm

Height ----- 97mm

Depth ----- 355mm

weight ----- 9.3kg

Operating temperatures ----- 0°C ~ 40°C

Operating humidity ----- 5 ~ 90 (without dew)